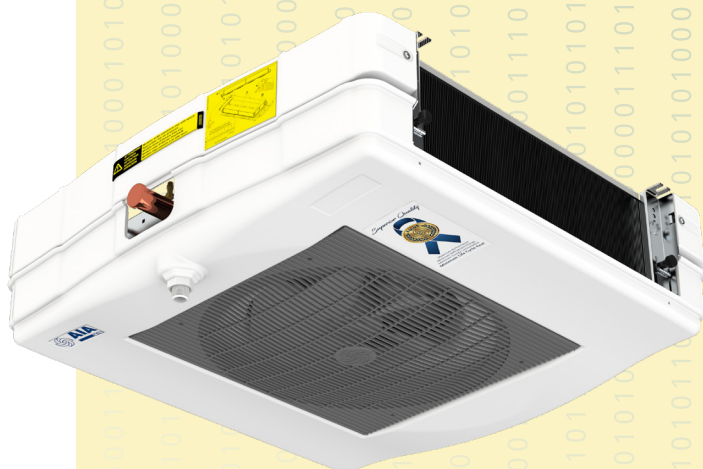


Cooling Your Daily Life®



Design pressure

Refrigerant	Max working pressure
HFC*	24 bar
CO ₂	60 bar**
Brine	10 bar

* Fluid group 2 according to EN 378; ** 85 bar in special execution

Each heat exchanger is leak tested with dry air and finally supplied with a dry air pre-charge. Fitted with schröder valve on the suction connection for testing purposes (only for HFC and CO₂ units).



FDX, FDB

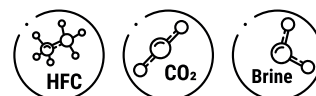
Benefits

- Energy efficient EC fans.
- Less noise for all applications.
- New structure in highly resistant synthetic material.
- Great flexibility thanks to two-speed fan.
- Two-year product guarantee.
- Easy access to on-line product information.

General information & application

FDX, FDB is the range of dual discharge commercial air coolers from Aia LU-VE, for general application in small to medium-sized cooling, freezing and working rooms. Low air velocity and noise level make them especially suitable for refrigerated working and processing rooms.

Refrigerants



Capacity range (SC2 with R404)
Air quantity

2 up to 20 kW
1,400 up to 8,000 m³/h

Coil

The very high-efficiency TURBOCOIL® heat exchangers have the best power/cost ratio obtainable.

- High-efficiency TURBOFIN® aluminum fins with special configuration of the louvre profile to reduce dehumidification and frost formation.
- High-efficiency small-diameter copper tubes with internal helical grooving, designed for optimal evaporation of the new refrigerant fluids.

Standard fin spacings 3, 4.5 and 7 mm.

Casing

Newly designed, highly resistant casing in reinforced synthetic "Safeshell" material. Dismountable and openable casing for cleaning and inspecting purposes.

Fan motors

1 to 4 fans fitted with EC fan motors available in two fan speeds (noise levels):

- S = High Speed (1100 RPM)
- L = Low Speed (870 RPM)

From 1 to 4 fans Ø 350 mm.

Power supply 230 V/1 ph/50-60 Hz. Fan motors wired to connection box.

Options

- Electric defrost (E).
The stainless steel defrost elements are connected to dedicated terminal box
- EC fan motor with 0-10 V control input (0-10).
- Pre-coated aluminium fins (AP)

Selection

Selection and pricing is to be performed with our air heat exchanger selection software AiaCalc.

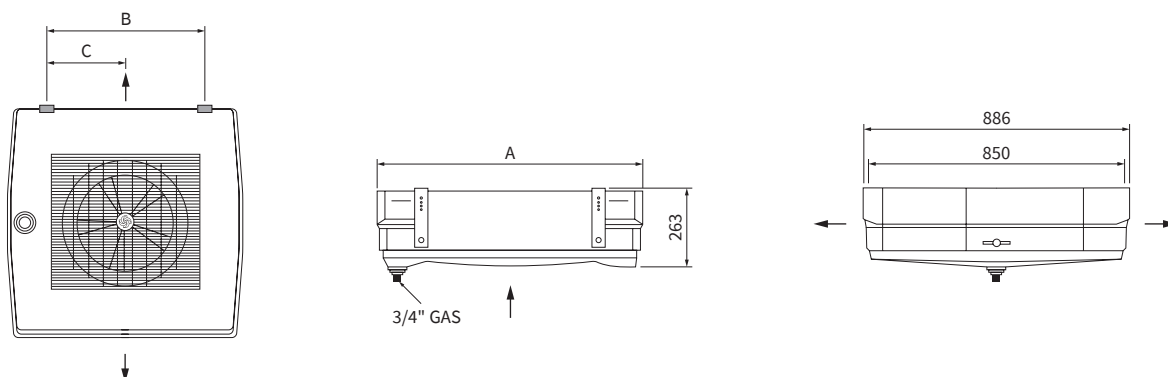
Selection output includes all relevant technical data and dimensional drawings.



FDX, FDB

Commercial dual discharge air coolers

Dimensions



Model	No. fans	Fin spacing (mm)	Capacity* (W)		Capacity SC2 (W)		Air quantity (m³/h)		Air throw (m)		A (mm)	B (mm)	C (mm)
			S	L	S	L	S	L	S	L			
711-3	1	3.0	3800	3350	2800	2470	1800	1400	11	8	888	596	-
712-3	1	3.0	5350	4550	3940	3350	1800	1400	11	8	888	596	-
721-3	2	3.0	7650	6750	5630	4970	3600	2800	12	10	1443	1151	-
722-3	2	3.0	10750	9150	7910	6730	3600	2800	12	10	1443	1151	-
732-3	3	3.0	15900	13650	11700	10050	5400	4200	14	11	1998	1706	-
742-3	4	3.0	19800	17300	14570	12730	7200	5500	15	11	2553	2261	1130
811-4	1	4.5	3100	2750	2280	2020	1900	1500	11	9	888	596	-
812-4	1	4.5	4550	4000	3350	2940	1900	1500	11	9	888	596	-
821-4	2	4.5	6200	5500	4560	4050	3800	2900	13	10	1443	1151	-
822-4	2	4.5	9100	7950	6700	5850	3800	2900	13	10	1443	1151	-
832-4	3	4.5	13750	12050	10120	8870	5700	4400	14	11	1998	1706	-
842-4	4	4.5	17650	15600	12990	11480	7600	5900	15	12	2553	2261	1130
911-7	1	7.0	2200	2000	1620	1470	2000	1600	12	9	888	596	-
912-7	1	7.0	3450	3050	2540	2240	2000	1600	12	9	888	596	-
921-7	2	7.0	4400	4000	3240	2940	4000	3100	14	11	1443	1151	-
922-7	2	7.0	6850	6100	5040	4490	4000	3100	14	11	1443	1151	-
932-7	3	7.0	10550	9350	7760	6880	6000	4700	15	12	1998	1706	-
942-7	4	7.0	13900	12400	10230	9130	8000	6200	16	13	2553	2261	1130

* Fluid R404A, TC =2.5 °C ΔT 1= 10 K

Certifications

The Aia LU-VE quality system is in accordance with ISO 9001. All products are manufactured according to PED regulations. LU-VE Group participates in the ECP program for HE. Check ongoing validity of certificate*:

www.eurovent-certification.com



*Brine refrigerant is not covered by Eurovent certification

31649600EN-00

Aia LU-VE is a trademark registered and owned by LU-VE Group.
Aia LU-VE reserves the right to change specifications without prior notification.

Code description

FDX	722	E	3
1	2	3	4

- 1 FDX=DX air cooler, FDB=Brine air cooler
- 2 Model type
- 3 E=Electric defrost, N=Air defrost
- 4 Fin spacing: 3=3.0 mm, 4=4.5 mm, 7=7.0 mm

